

# MOTOR DIAGRAMS AND LAB NOTES

## Motor Diagrams And Lab Notes

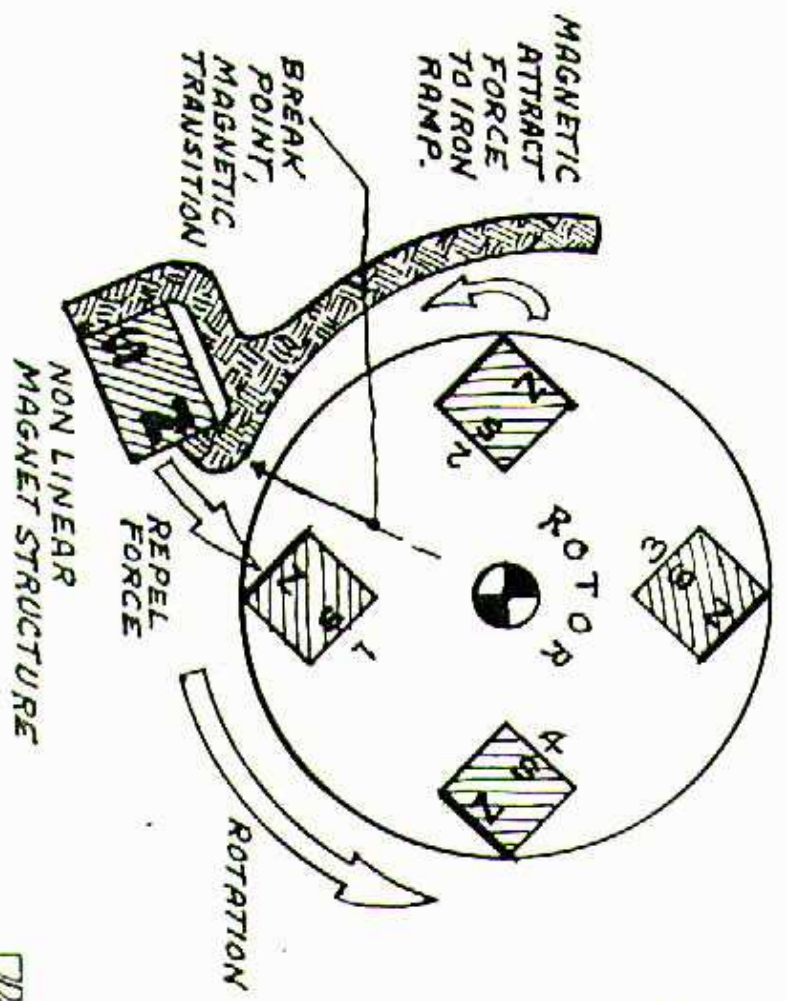
The lab notes and diagrams on this page were built by John Bedini and Ron Cole. The theory is all Tom Bearden's, and comes out of the book "TOWARD A NEW ELECTROMAGNETICS PART 4: VECTORS AND MECHANISMS CLARIFIED"

---

The circuit diagrams that are in this section are for people with electronic backgrounds. Some of the parts are outdated and will need to be replaced. "PLEASE DO NOT CHANGE THINGS UNTIL THEY WORK"

---

**NON ELECTRIC PERMANENT MAGNET MOTOR -- IT REALLY WORKS!**  
**FOUR PROVEN INDIVIDUAL CONCEPTS UNIFIED INTO A SINGLE FUNCTION.**

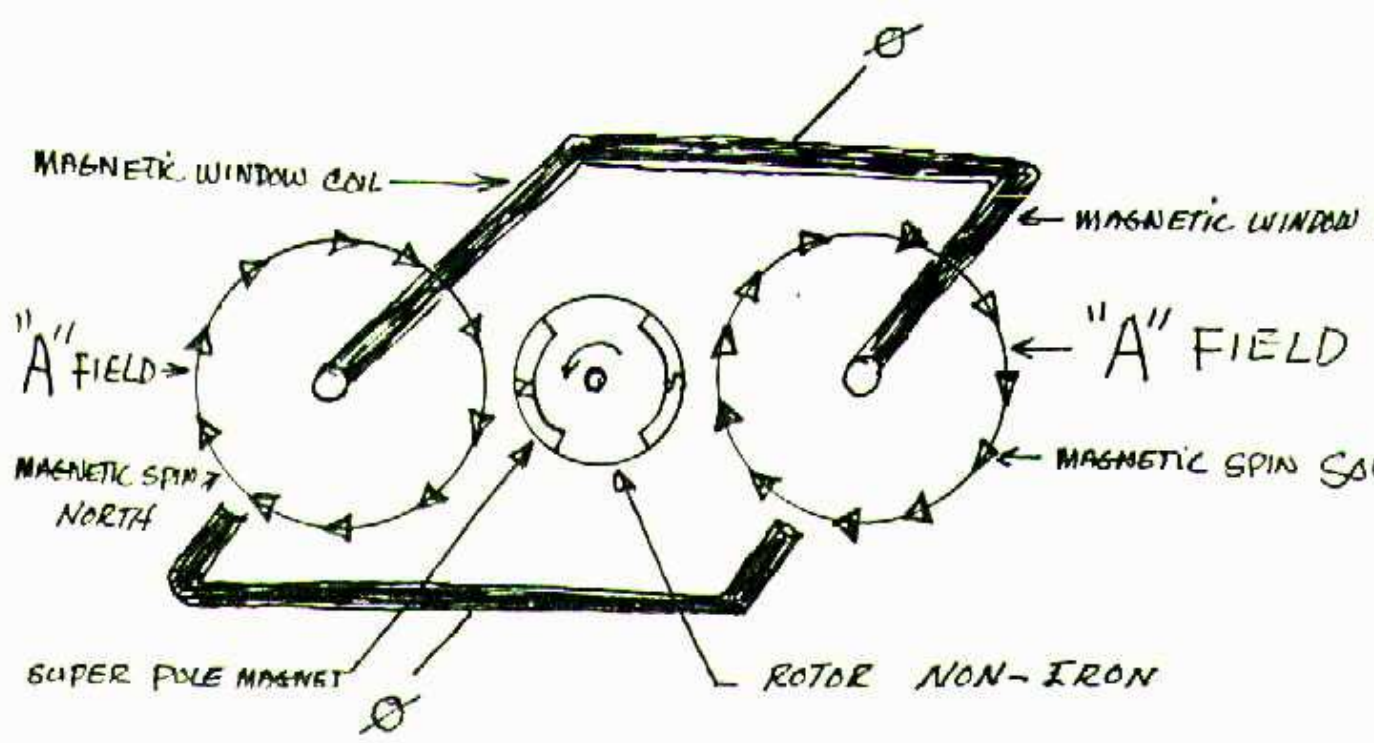
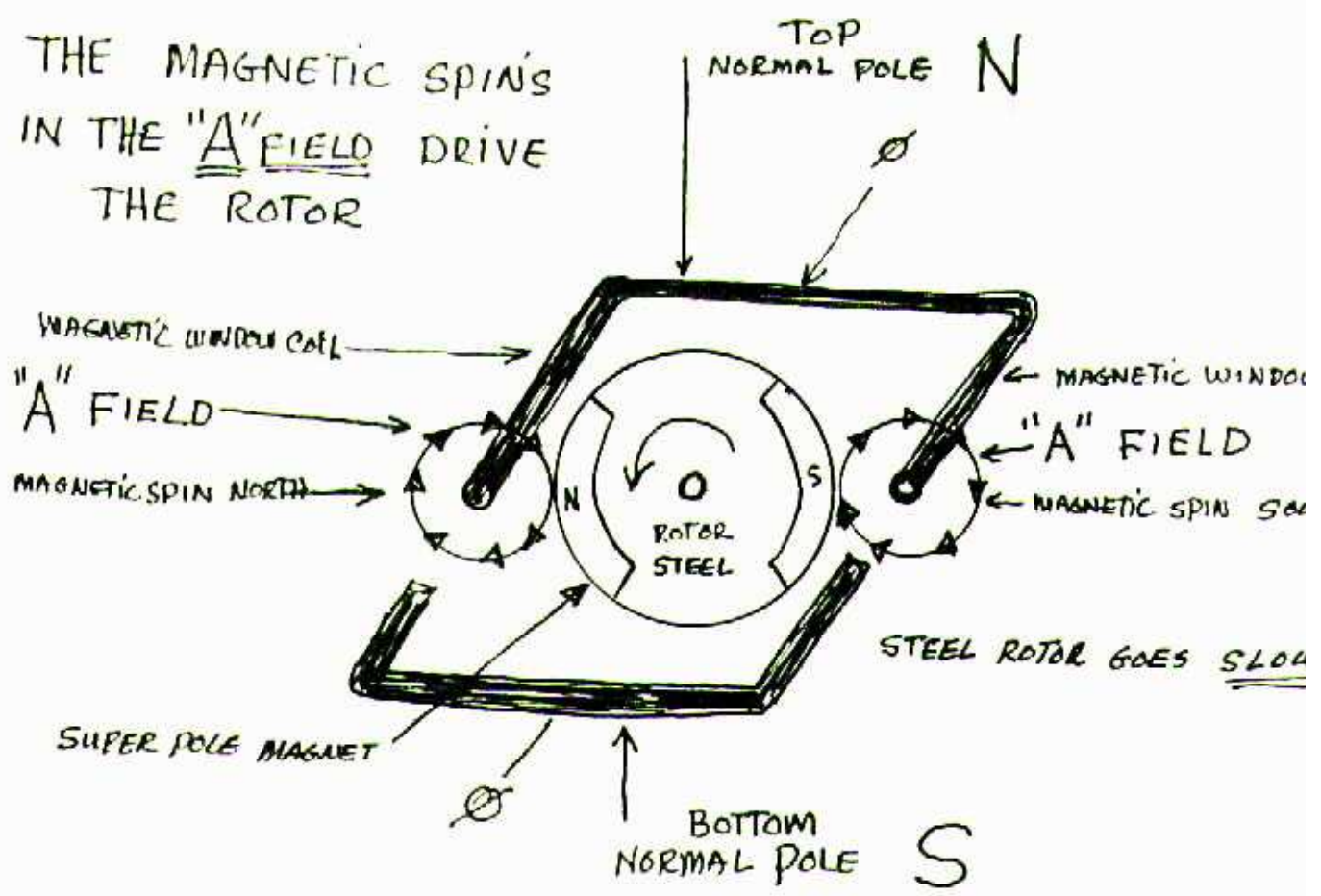


**BACKGROUND REF:**

- H. JOHNSON
- T. BEARDEN
- J. BEDINI
- R. COLE

 **B.A.S.E.**

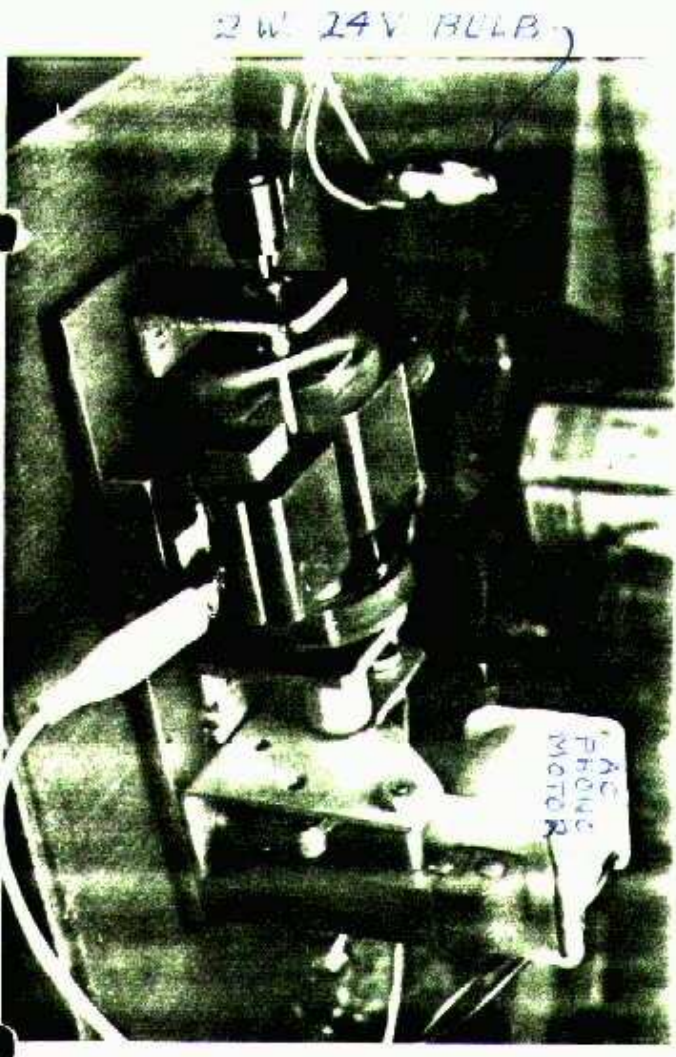
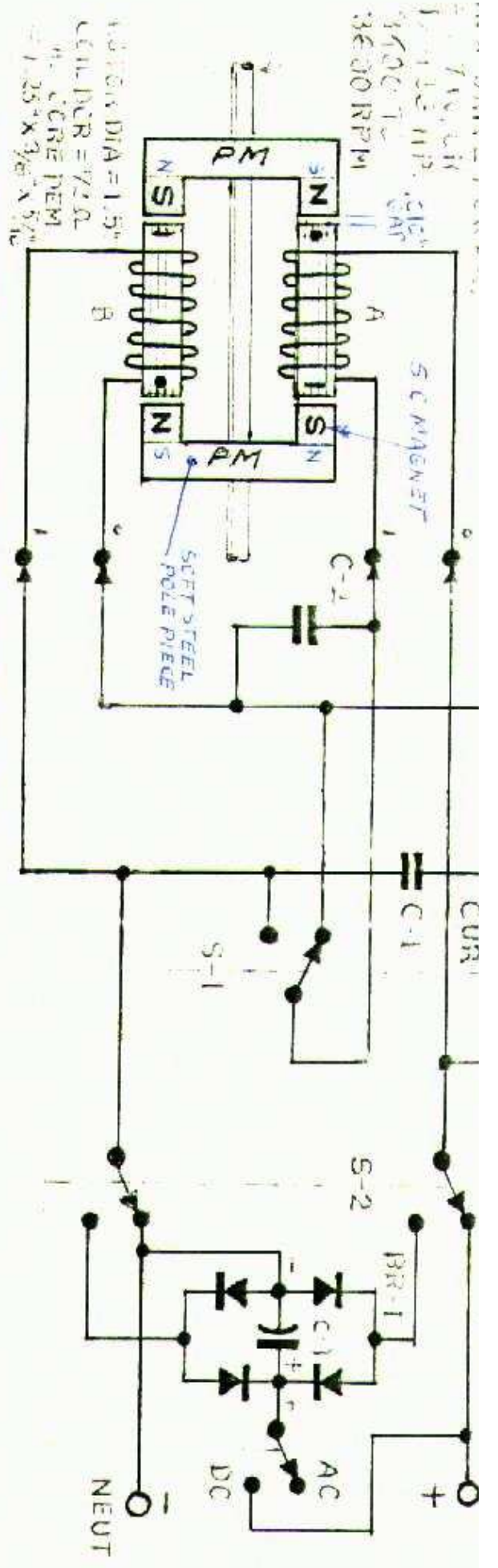
THE MAGNETIC SPIN'S  
IN THE "A" FIELD DRIVE  
THE ROTOR



SPECIAL VIEW

LAB NOTES  
JOHN RED



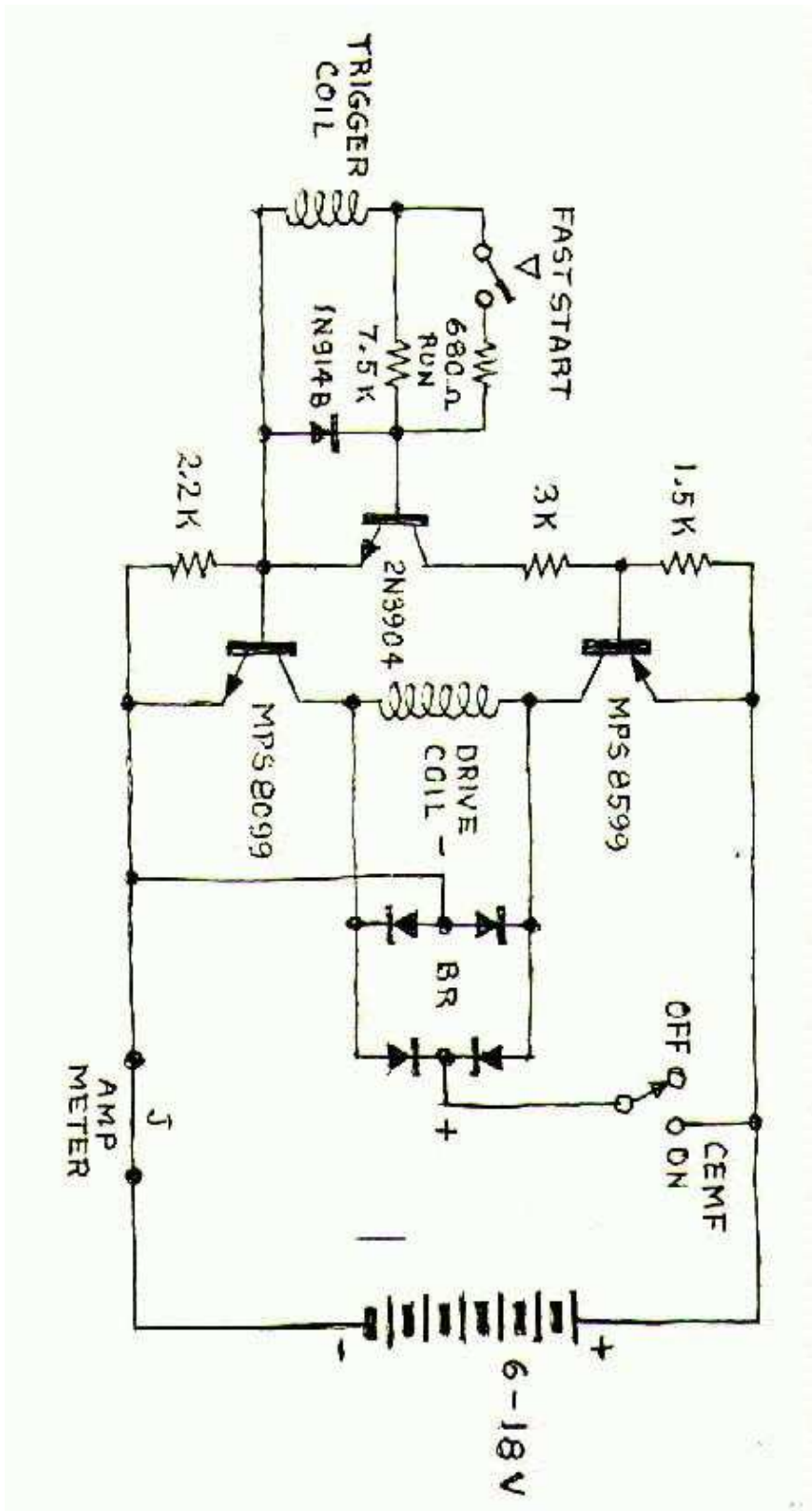


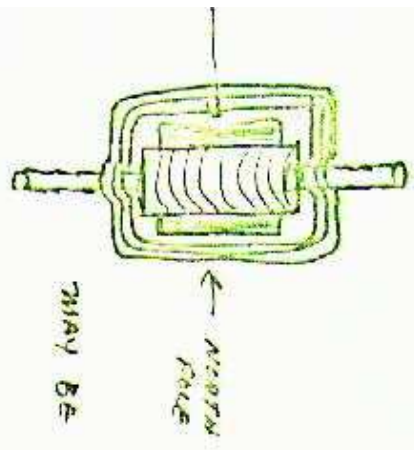
- C-1 1.25 μF NP 400V
- C-2 5 μF NP 200V
- C-3 1000 μF P 150V
- BR-1 1A 500V RECT. BRIDGE
- S-1, S-2 3PDT SW

CURRENT SINKER (MAX)

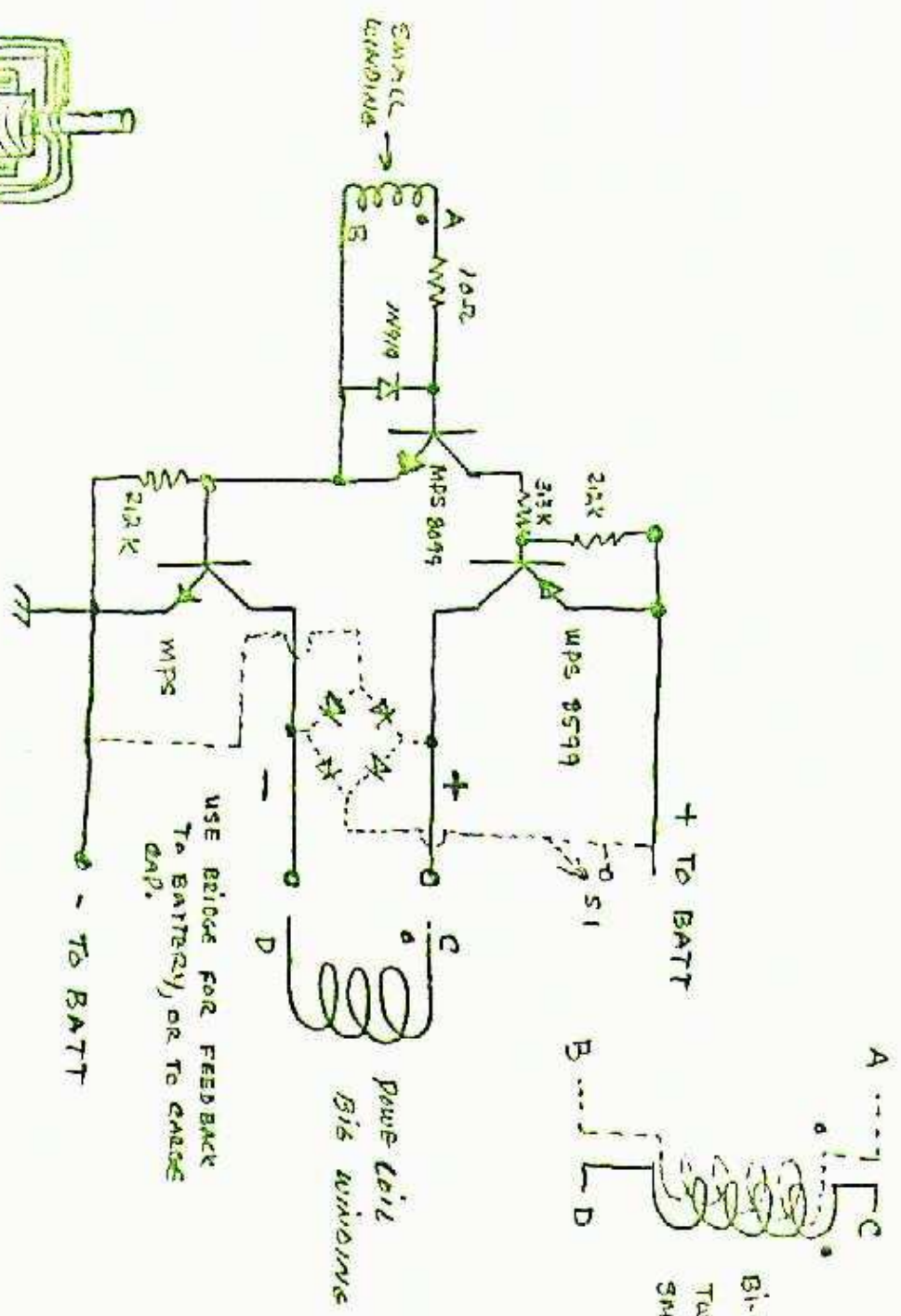
VT'S	MIDIES	AC, 90V @ 27MA
"	"	DC, 120V @ 15MA
"	"	DC, 12V @ 200MA
CLR	MIDIES	AC, 52V @ 48MA
"	"	AC, 14V @ 175MA
"	"	DC, 55V @ 46MA
"	"	DC, 10V @ 258MA

← CURR →





← MOTOR POLE  
 MAY BE 2, 4, 12 POLE MOTOR



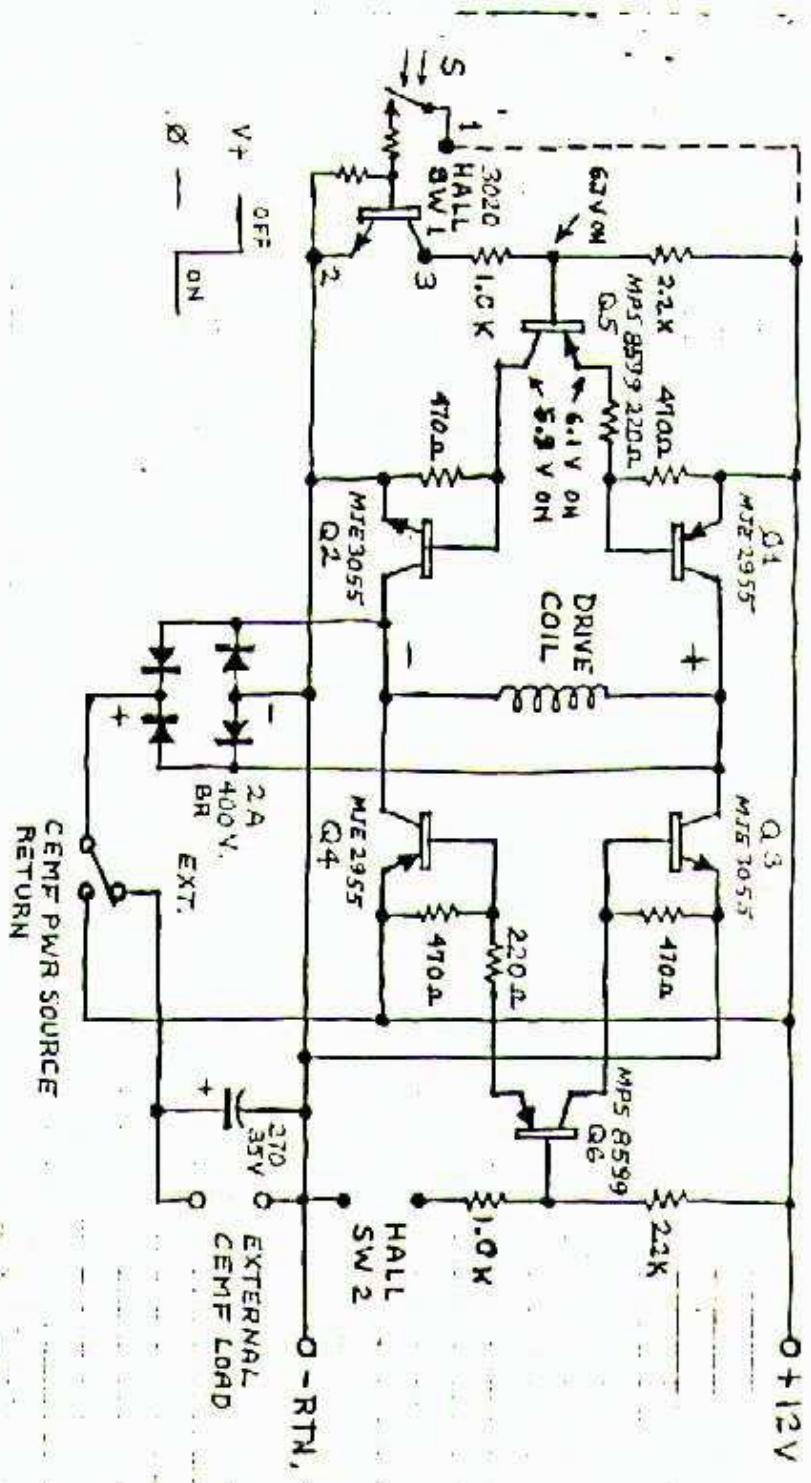
Bi-Filer WOUND  
 Two wires, one  
 SMALL, ONE BIG.

USE BRIDGE FOR FEEDBACK  
 TO BATTERY, OR TO CASE  
 CAP.

POWER COIL  
 BIG WINDING

LAB NOTES  
 JOHN BEDIKI  
 RON GOLF  
 9-14-88

SEQUENTIAL BIPOLAR SWITCH - COMMUTATOR



Copyright © 1996

